

# FATECH ELECTRONIC (CHINA) LTD

Add: Building D7, Guangdong New Light Production Base, Luocun, Shishan Town, Nanhai District, Foshan City, Guangdong Province, China.

Tel: +86 757 86718031

Fax: +86 757 83557686

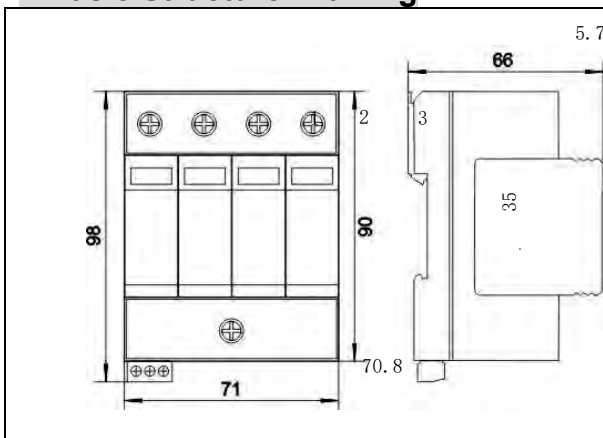
Website: <http://www.fatech-surge-protection.com>

E-mail: [sales@fatech-surge-protection.com](mailto:sales@fatech-surge-protection.com)

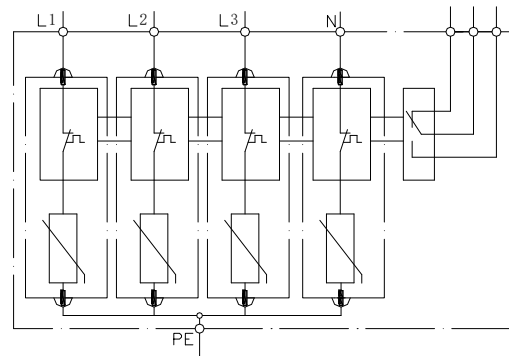
## SPECIFICATION SHEET

Model No.	Your Ref. No.	Date	Version
<b>FV20C/4-275 S</b>		2010-5-17	A-2

### 1. Basic Structure Drawing



### 2. Principle Drawing



### 3. Technical parameters

Test class according to IEC61643-1:2005	II	
Type of Network	TT, TN	
Nominal voltage	$U_N$	230V/50(60)Hz
Rated Voltage (Max. Cont. Operating Voltage)	$U_c$	275V
Maximum discharge current (8/20 $\mu$ s)	$I_{max}$	40kA
Nominal discharge current (8/20 $\mu$ s)	$I_n$	20kA
Voltage protective level at $I_n$	$U_p$	$\leq 1.2$ kV
Isolation resistance	$R_{isol}$	$> 10^2$ M $\Omega$
Response time	$t_A$	$\leq 25$ ns
Recommended back-up fuse	125A	
I/O Connections	By screw terminal: 10-35mm <sup>2</sup> By connection bus	
Mounting	Symmetrical rail (EN50022/DIN46277-3)	
Operation temperature range	-40 $^{\circ}$ C ~ +85 $^{\circ}$ C	
Degree of protection	IP20	
Housing material	UL94V0	
Disconnection indicator	Mechanical indicator	
Remote control contact	Yes	
Color	Gray	