

FATECH ELECTRONIC (CHINA) LTD

Add: Guangdong New Light Production Base, Luocun, Shishan Town, Nanhai District, Foshan City, Guangdong Province, China.

Tel: +86 757 86718031

Fax: +86 757 83557686

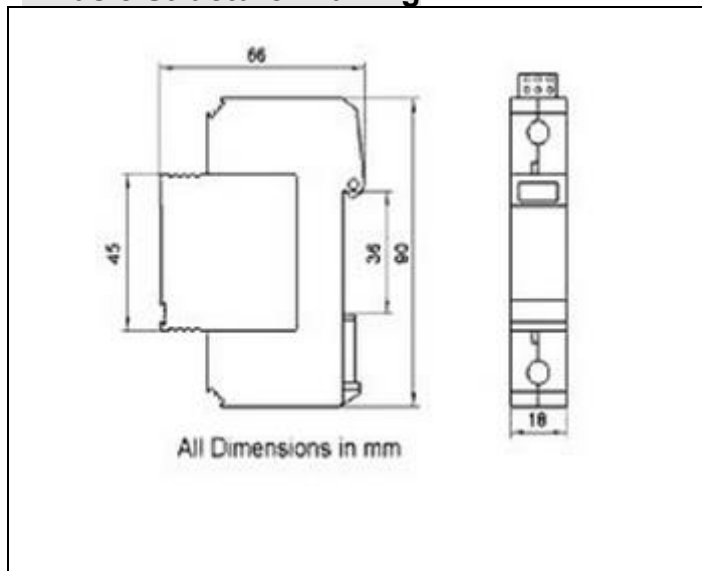
Website: <http://www.fatech-surge-protection.com>

E-mail: sales@fatech-surge-protection.com

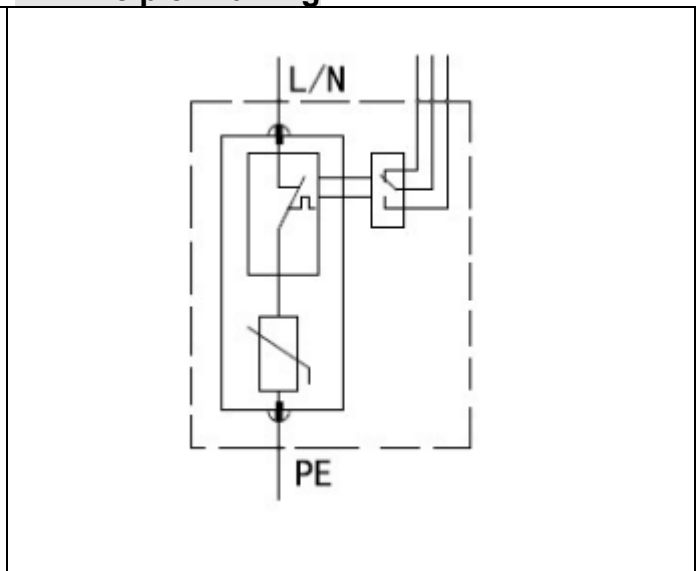
SPECIFICATION SHEET

Model No.	Your Ref. No.	Date	Version
FV30B+C/1-275 S		2011-10-17	A-2

1. Basic Structure Drawing



2. Principle Drawing



3. Technical parameters

Test class according to IEC61643-1:2005	I+II	
Type of Network	TT	
Nominal voltage	U_N	230V/50(60)Hz
Rated Voltage (Max. Cont. Operating Voltage)	U_c	275V
Impulse current (10/350 μ s)	I_{imp}	7kA
Nominal discharge current (8/20 μ s)	I_n	30kA
Maximum discharge current (8/20 μ s)	I_{max}	60kA
Voltage protective level at 30kA (8/20 μ s)	U_p	$\leq 1.5kV$
Isolation resistance	R_{isol}	$> 10^2 M\Omega$
Response time	t_A	$\leq 25ns$
Recommended back-up fuse	160A	
I/O Connections	By screw terminal: 10-35mm ² By connection bus	
Mounting	Symmetrical rail (EN50022/DIN46277-3)	
Operation temperature range	-40 $^{\circ}C$ ~+85 $^{\circ}C$	
Degree of protection	IP20	
Housing material	UL94V0	
Disconnection indicator	Mechanical indicator	
Remote control contact	YES	
Color	Gray Base + Orange Module	