

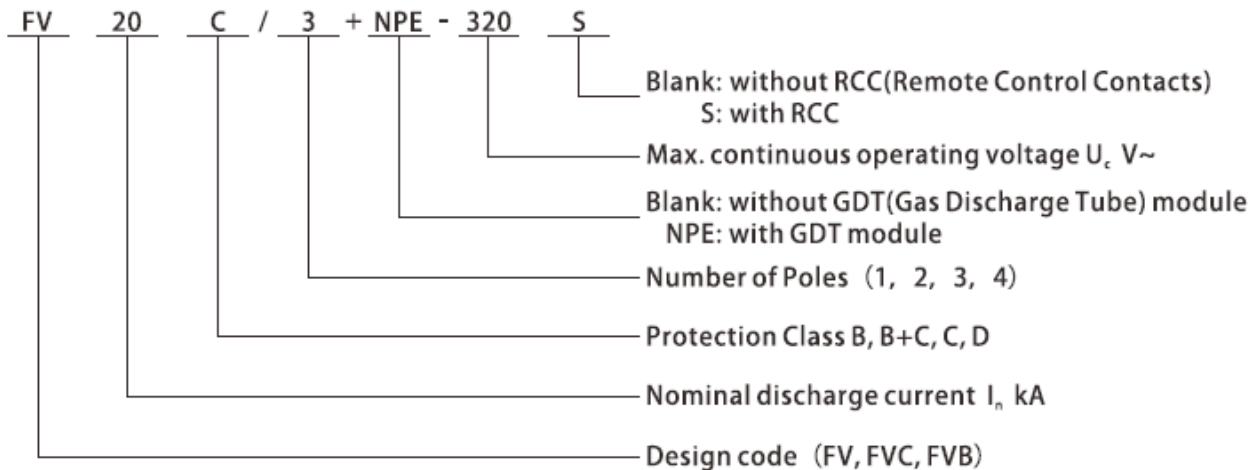
AC power supply surge protective device

Model No.: FV20C/1-275

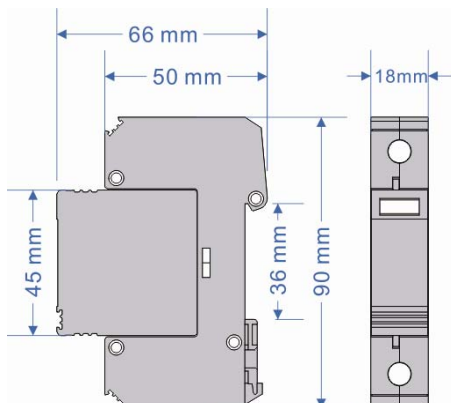


- Class II / Type 2 **surge protective devices**.
- For using in the lightning protection zones concept at boundary 1-2.
- The core parts are metal oxide vistor components with high discharge capacity.
- Reliable control thanks to Thermo Dynamic Control disconnecter.
- With remote signaling contact for control device.
- Fault indication via red mark in the inspection window.
- Protection mode --- L/N-PE

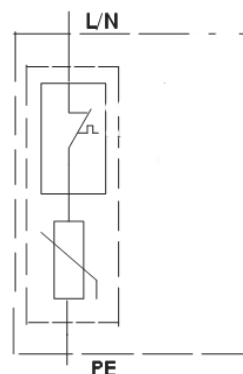
1. Coding



2. Dimension



3. Circuit



FATECH ELECTRONIC (FOSHAN) CO., LTD.

Add: Bldg D7, Guangdong New Light Production Base, Luocun, Shishan Town, Nanhai District, Foshan City, Guangdong China.

Tel: +86 757 86718031 Fax: +86 757 83557686

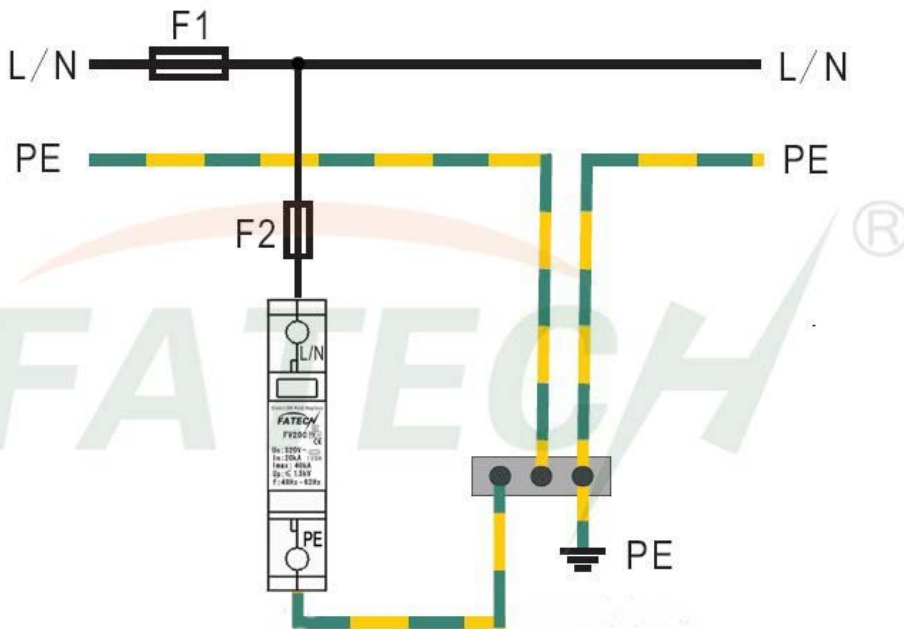
Web: www.fatech-surge-protection.com, www.fatech-spd.cn

Email: sales@fatech-surge-protection.com, sales@fatech-spd.cn

4. Electrical parameter

Model No.	FV20C/1 -275	
Test class according to IEC/EN61643-11	II	
Type of Network	TT, TN, IT	
Nominal voltage	U_N	230V/50(60)Hz
Rated Voltage (Max. Cont. Operating Voltage)	U_c	275V
Maximum discharge current (8/20 μ s)	I_{max}	40kA
Nominal discharge current (8/20 μ s)	I_n	20kA
Voltage protective level at I_n	U_p	$\leq 1.2kV$
Isolation resistance	R_{isol}	$> 10^2 M\Omega$
Response time	t_A	$\leq 25ns$
Recommended back-up fuse	125A	
I/O Connections	By screw terminal:10-35mm ² By connection bus	
Mounting	Symmetrical rail (EN50022/DIN46277-3)	
Operation temperature range	-40 $^{\circ}C$ ~+85 $^{\circ}C$	
Degree of protection	IP20	
Housing material	UL94V0	
Disconnection indicator	Mechanical indicator(Green: OK, Red: Replace)	
Remote control contact	Without	
Color	Gray	

5. Installation



FATECH ELECTRONIC (FOSHAN) CO., LTD.

Add: Bldg D7, Guangdong New Light Production Base, Luocun, Shishan Town, Nanhai District, Foshan City, Guangdong China.

Tel: +86 757 86718031 Fax: +86 757 83557686

Web: www.fatech-surge-protection.com, www.fatech-spd.cn

Email: sales@fatech-surge-protection.com, sales@fatech-spd.cn