

AC Surge protective device for low-voltage distribution system

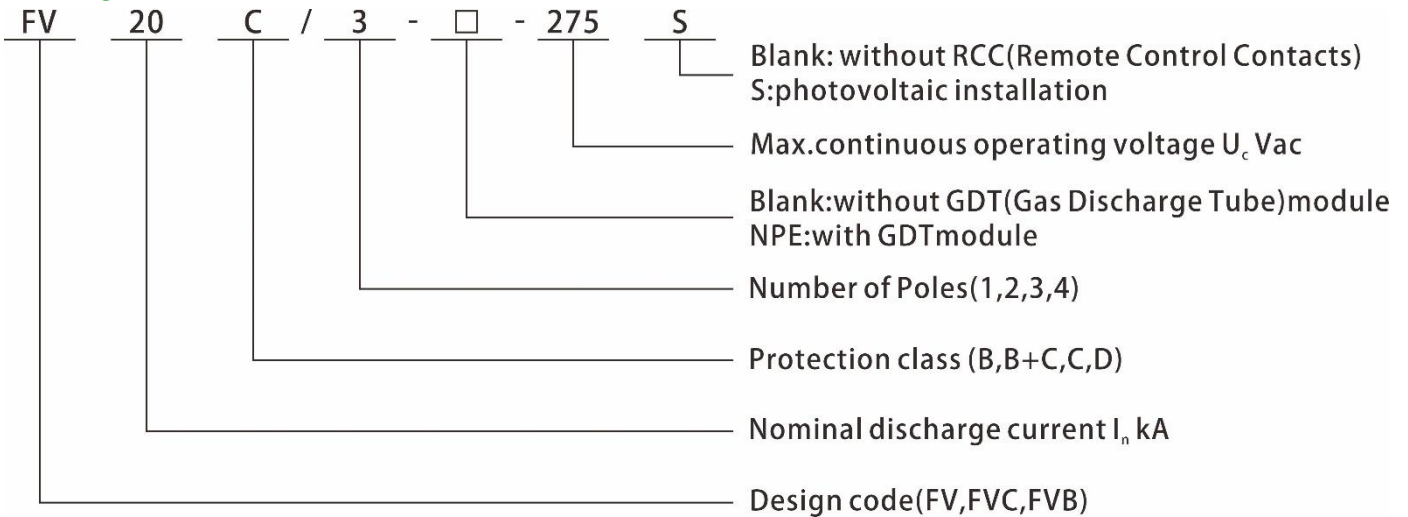
Version: B-3

Model No.: FV20C/3-275S

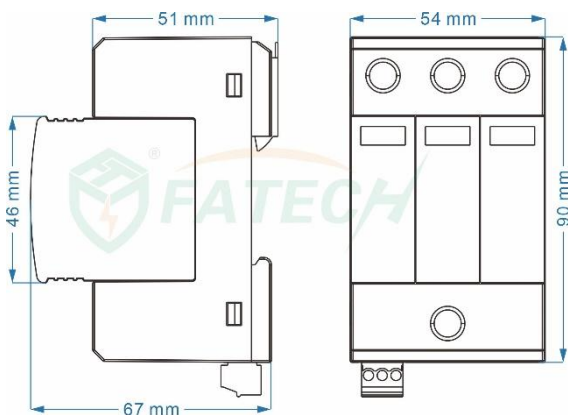


- Class II / Type 2 **surge protective devices**.
- For using in the lightning protection zones concept at boundary 1-2.
- The core parts are metal oxide varistor components with high discharge capacity.
- Reliable control thanks to Thermo Dynamic Control disconnecter.
- With remote signaling contact for control device.
- Fault indication via red mark in the inspection window.
- Protection mode --- L1,L2,L3-PE
- TUV certificate No. :R50312741

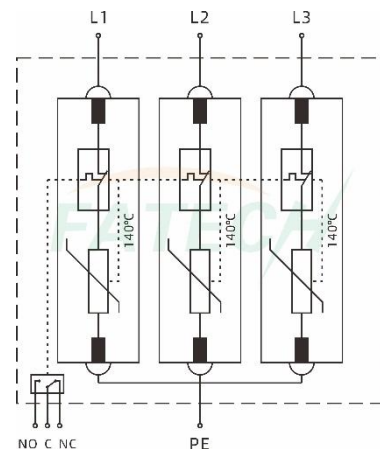
1. Coding



2. Dimension



3. Circuit



FATECH ELECTRONIC (FOSHAN) CO., LTD.

Add: Bldg D7, Guangdong New Light Production Base, Luocun, Shishan Town, Nanhai District, Foshan City, Guangdong China.

Tel: +86 757 86718031 Fax: +86 757 83557686

Web: www.fatech-surge-protection.com, www.fatech-spd.cn

Email: sales@fatech-surge-protection.com, sales@fatech-spd.cn

4. Electrical parameters

Model. No.	FV20C/3-275S
SPD protection conforms to IEC 61643-11 / EN 61643-11	Type 2
SPD installation type conforms to IEC 61643-11 / EN 61643-11	Class II
Protection level conforms to DIN VDE0675-6	C
Type of Network	IT
Protection mode	L1 , L2 , L3-PE
Nominal Voltage U_N	230/400 Vac/50(60)Hz
Maximum continuous operating voltage U_C	275 Vac/50(60)Hz
Short-circuit withstand capability I_{sccr}	20 kA
Continuous operating current I_C	<20 μ A
Residual current I_{PE}	$\leq 20 \mu$ A dc $\leq 500 \mu$ A ac
Standby power consumption P_C	≤ 25 mVA
Maximum discharge current (8/20 μ s) I_{max}	40 kA
Nominal discharge current (8/20 μ s) I_n	20 kA
Voltage protection level U_p	≤ 1.3 kV
Isolation resistance R_{isol}	> 1000 M Ω
Response time t_A	≤ 25 ns
Remote control contact	YES
Disconnection indicator	Mechanical indicator (Green: OK, Red: Replace)
I/O Connections	By screw terminal:10-35mm ² By connection bus
Installation location	Inside
Mounting type	35mm DIN rail acc. to EN 60715
Color	Gray
Degree of protection	IP20
Housing material	UL94V-0
Ambient temperature	-40°C ~ +80°C
Altitude	≤ 2000 m (amsl (above mean sea level))
Permissible humidity	30%~90%

FATECH ELECTRONIC (FOSHAN) CO., LTD.

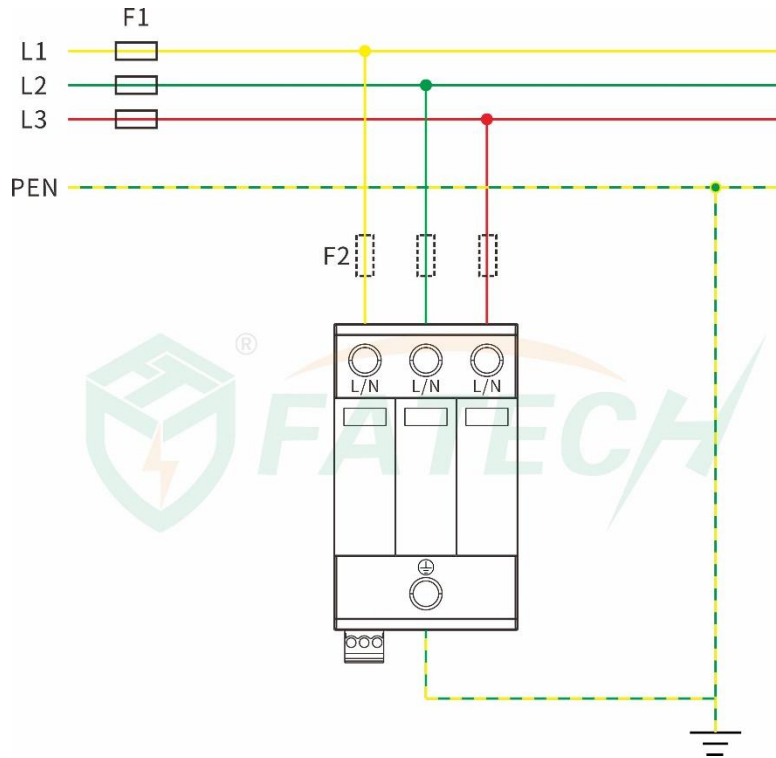
Add: Bldg D7, Guangdong New Light Production Base, Luocun, Shishan Town, Nanhai District, Foshan City, Guangdong China.

Tel: +86 757 86718031 Fax: +86 757 83557686

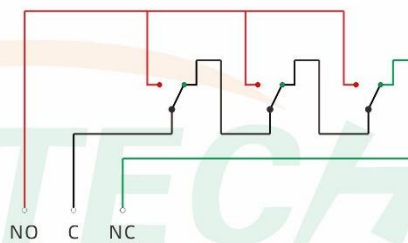
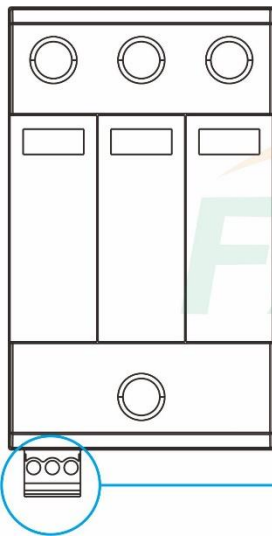
Web: www.fatech-surge-protection.com, www.fatech-spd.cn

Email: sales@fatech-surge-protection.com, sales@fatech-spd.cn

5. Installation

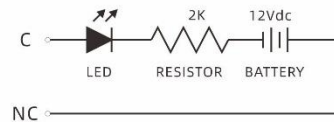


$F1 > 125\text{AgL/gG} \rightarrow F2 = 125\text{AgL/gG}$
 $F1 \leq 125\text{AgL/gG} \rightarrow \text{No F2}$



Work : NC & C close
 Defect : NO & C close

Example:



FATECH ELECTRONIC (FOSHAN) CO., LTD.

Add: Bldg D7, Guangdong New Light Production Base, Luocun, Shishan Town, Nanhai District, Foshan City, Guangdong China.

Tel: +86 757 86718031 Fax: +86 757 83557686

Web: www.fatech-surge-protection.com, www.fatech-spdcn.com

Email: sales@fatech-surge-protection.com, sales@fatech-spdcn.com