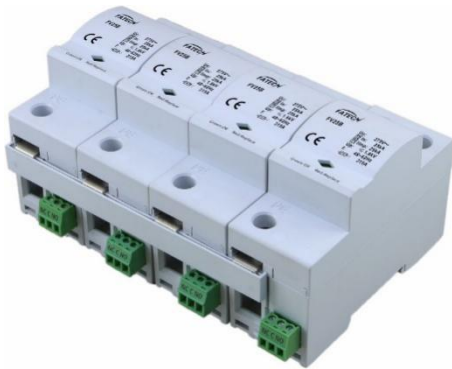


AC Surge protective device for low-voltage distribution system

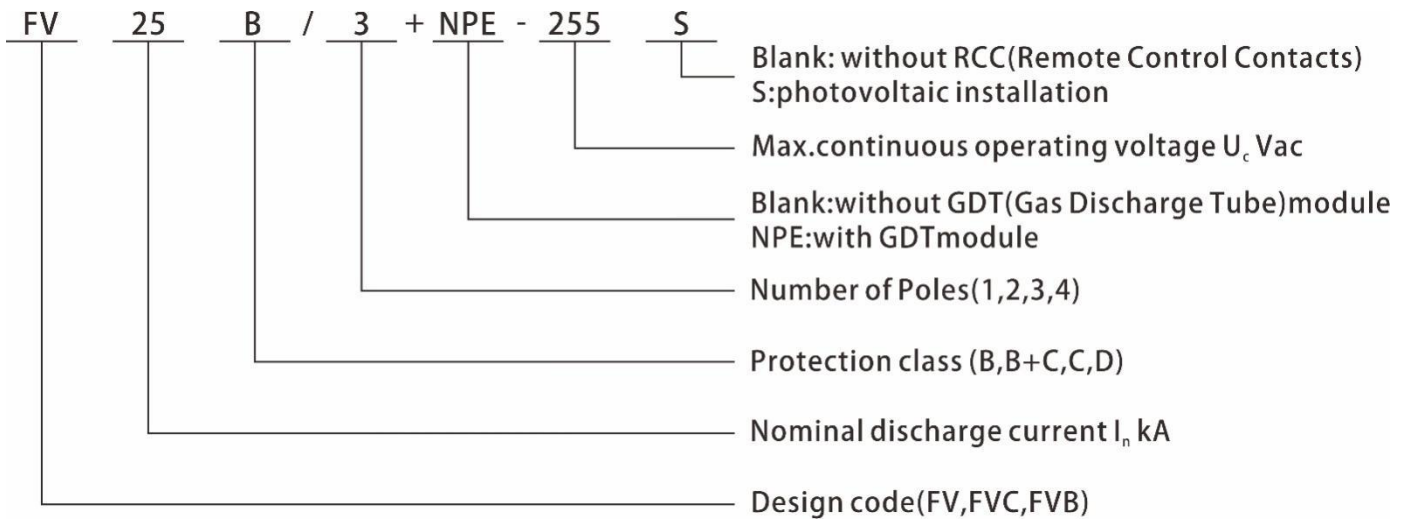
Version:B-3

Model No.: FV25B/3+NPE-255S

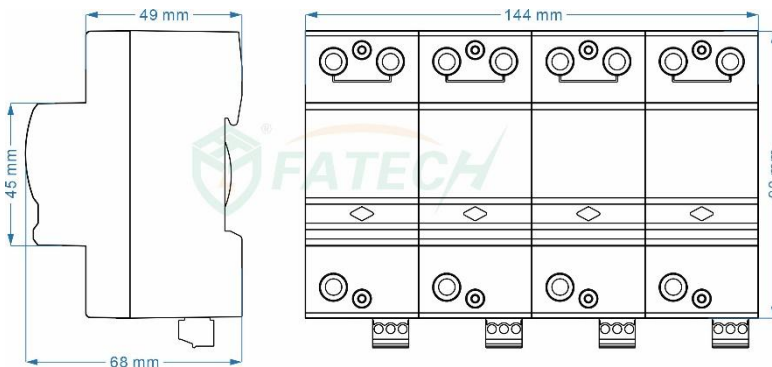


- Type 1+2 25kA@10/350μs 1 phase lightning arrester.
- With indication window and remote control contacts.
- Unique designing, patent technology.
- Used in the lightning protection zones concept at boundary LPZ0B-LPZ1.
- The core parts are multilayer spark gap with high discharge capacity.
- Low residual voltage.
- Protection mode: L-N , N-PE

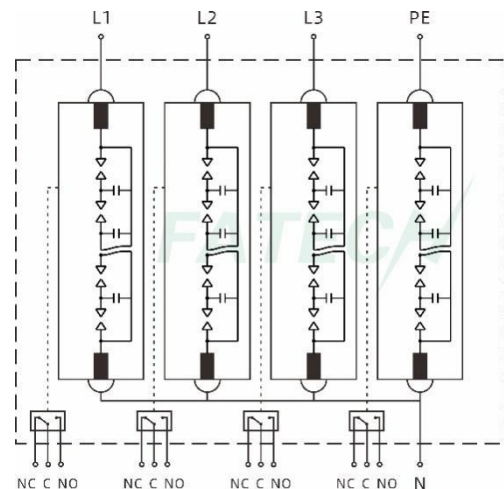
1.Coding



2. Dimension



3. Circuit



FATECH ELECTRONIC (FOSHAN) CO., LTD.

Add: Bldg D7, Guangdong New Light Production Base, Luocun, Shishan Town, Nanhai District, Foshan City, Guangdong China.

Tel: +86 757 86718031 Fax: +86 757 83557686

Web: www.fatech-surge-protection.com, www.fatech-spd.cn

Email: sales@fatech-surge-protection.com, sales@fatech-spd.cn

4. Electrical parameters

Model. No.	FV25B/3+NPE-255S
SPD protection conforms to IEC 61643-11 / EN 61643-11	Type 1+2
SPD installation type conforms to IEC 61643-11 / EN 61643-11	Class I+II
Protection level conforms to DIN VDE0675-6	B+C
Type of Network	TT
Protection mode	L-N , N-PE
Nominal Voltage U_N	230/440 Vac/50(60)Hz
Maximum continuous operating voltage U_C	255 Vac/50(60)Hz
Continuous operating current I_C	<20 μ A
Residual current I_{PE}	\leq 20 μ A dc \leq 500 μ A ac
Standby power consumption P_C	\leq 25 mVA
Nominal discharge current (8/20 μ s) [L-N]/[N-PE] I_n	\geq 25/100 kA
Impulse discharge current (10/350 μ s) [L-N]/[N-PE] I_{imp}	\geq 25/100 kA
Voltage protection level U_p	\leq 1.5 kV
Isolation resistance R_{isol}	> 1000 M Ω
Response time t_A	\leq 100 ns
Follow up current extinguishing capability [L-N]/[N-PE]	\geq 25 kArms / 100 Arms
Let-Through-Energy in combination with an MOV S20K275 limp 0÷25kA(10/350 μ s)	\leq 151 Jouls
Temporary overvoltage (TOV)	L-N: \geq 440 Vac/120 min N-PE: \geq 1200 Vac/200 ms
Remote control contact	YES
Disconnection indicator	Mechanical indicator (Green: OK, Red: Replace)
Minimum area of connecting cable	16 mm ²
Maximum area of connecting cable	35 mm ²
Installation location	Inside
Mounting type	35mm DIN rail acc. to EN 60715
Color	Gray
Degree of protection	IP20
Housing material	UL94V-0
Ambient temperature	-40°C ~+80°C
Altitude	\leq 2000 m (amsl (above mean sea level))
Permissible humidity	30%~90%

FATECH ELECTRONIC (FOSHAN) CO., LTD.

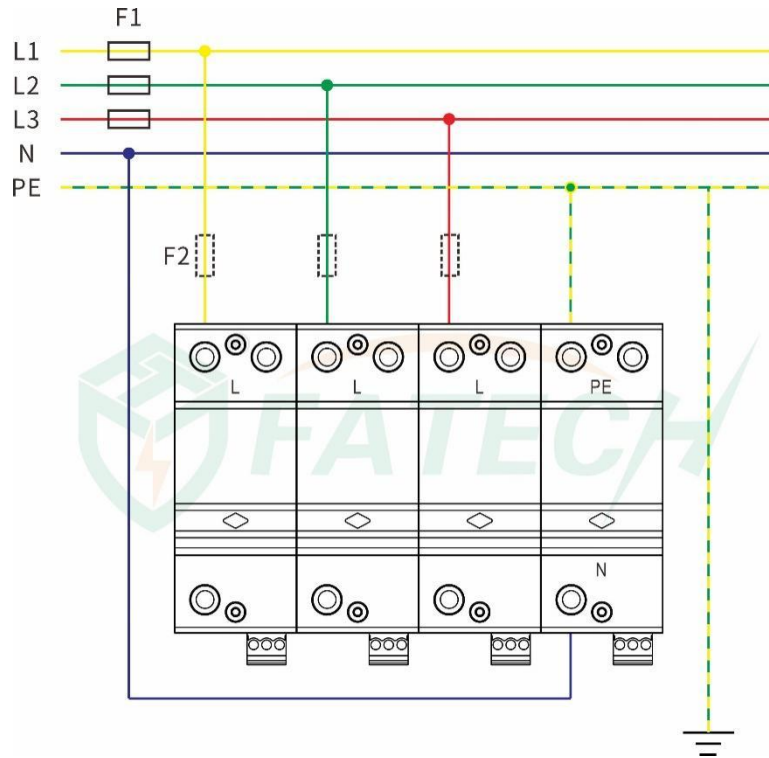
Add: Bldg D7, Guangdong New Light Production Base, Luocun, Shishan Town, Nanhai District, Foshan City, Guangdong China.

Tel: +86 757 86718031 Fax: +86 757 83557686

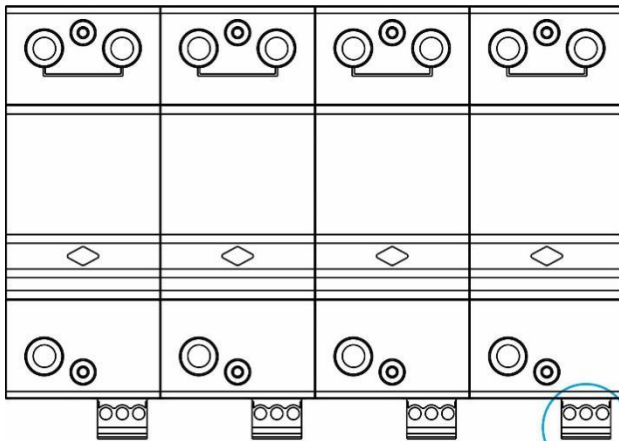
Web: www.fatech-surge-protection.com, www.fatech-spd.cn

Email: sales@fatech-surge-protection.com, sales@fatech-spd.cn

5. Installation

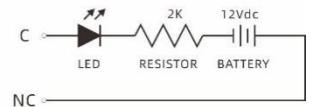


$F1 > 315\text{AgL/gG} \rightarrow F2 = 315\text{AgL/gG}$
 $F1 \leq 315\text{AgL/gG} \rightarrow \text{Ø}$



Work : NC & C close
 Defect : NO & C close

Example:



FATECH ELECTRONIC (FOSHAN) CO., LTD.

Add: Bldg D7, Guangdong New Light Production Base, Luocun, Shishan Town, Nanhai District, Foshan City, Guangdong China.

Tel: +86 757 86718031 Fax: +86 757 83557686

Web: www.fatech-surge-protection.com, www.fatech-spd.cn

Email: sales@fatech-surge-protection.com, sales@fatech-spd.cn