

FS-RJ45-6/***

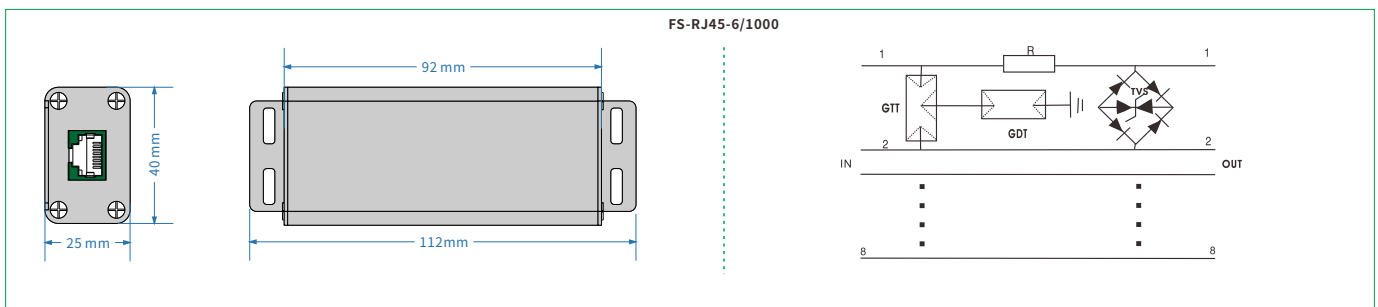
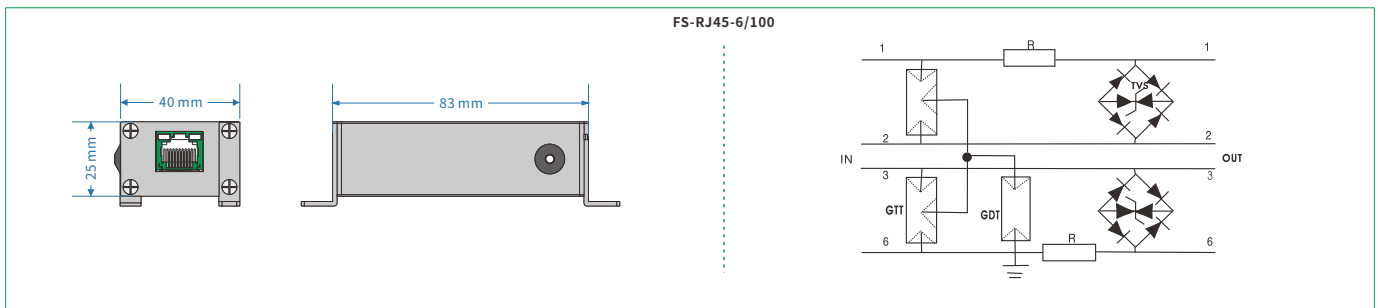


FS-RJ45-6/1000



FS-RJ45-6/100

- ◆ RJ45 surge protective device are applied to the protection against inductive over voltage, power interference & electrostatic discharge (ESD) for sensitive lines of telecommunications. e.g. computer network equipment, switches, routers, HUBs & MODEMs.
- ◆ Convenient mounting
- ◆ Low insertion loss, low residual voltage
- ◆ Built-in semiconductor, quick response
- ◆ Low capacitance design, excellent transmission
- ◆ Can be designed and manufactured according to special requests of clients.
- ◆ Transmission rate: 100M, 1000M for your option.



| Model No. | FS-RJ45-6/100 | FS-RJ45-6/1000 |
|--|--|-------------------------------|
| Type of Network | Network signal transmission system | |
| Nominal voltage 50(60)Hz U_N | 6V | |
| Rated Voltage (Max. Cont. Operating Voltage) U_c | 8V | |
| Rated current I_L | 0.5A | |
| Max. discharge current (8/20 μ s) I_{max} | 5.0kA | |
| Nominal discharge current (8/20 μ s) I_n | 1.5kA | |
| Voltage protective level U_p | L-L | $\leq 20V$ |
| | L-PE | $\leq 250V$ |
| Adapt transmission rate | 100Mbit/s | 1000Mbit/s |
| Insertion loss | $\leq 1.0Mbit/s$ | $\leq 1.2Mbit/s$ |
| Protected Line (Pairs) | (1,2) ; (3,6) | (1,2) ; (3,6) ; (4,5) ; (7,8) |
| Interface | IN | RJ45 |
| | OUT | RJ45 |
| Mounting | Bolt fixing | |
| Response time t_a | $\leq 10ns$ | |
| Operation temperature range / humidity / altitude | -40 $^{\circ}C$ ~+80 $^{\circ}C$ / 30%~90% / 3000m | |
| Housing material | Aluminium alloy | |