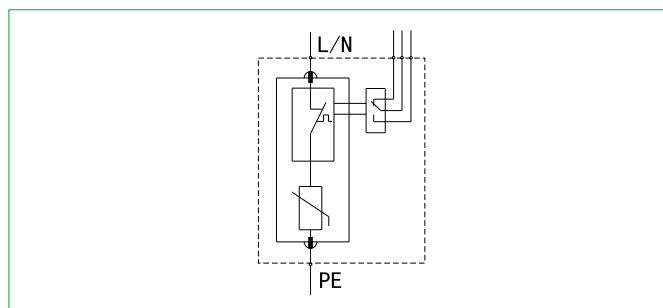
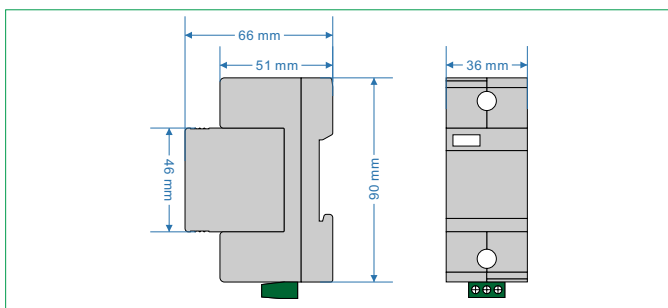


FV40C/1-*** (S)



- ◆ Consisting of a base part and MOV pluggable protection modules.
- ◆ For using in the lightning protection zones concept at boundary 1-2.
- ◆ The core parts are metal oxide vristor components with high discharge capacity.
- ◆ Low residual voltage and quick response.
- ◆ Reliable control thanks to Thermo Dynamic Control disconnecter.
- ◆ With remote signaling contact for control device.
- ◆ Fault indication via red mark in the inspection window.
- ◆ Protection mode: L/N-PE.



Model No.	FV40C/1-150 (S)	FV40C/1-275 (S)	FV40C/1-320 (S)	FV40C/1-385 (S)	FV40C/1-440 (S)
Test class IEC/EN/VDE	Class II/C/ T_2				
Type of Network	TT, TN, IT				
Protection Mode	L / N - PE				
Nominal voltage 50(60)Hz U_n	110V~	220V~	220V~	220V~	220V~
Rated Voltage (Max. Cont. Operating Voltage) U_c	150V~	275V~	320V~	385V~	440V~
Max. discharge current (8/20 μ s) I_{max}	80kA				
Nominal discharge current (8/20 μ s) I_n	40kA				
Voltage protective level U_p	$\leq 1.0kV$	$\leq 1.7kV$	$\leq 2.0kV$	$\leq 2.5kV$	$\leq 2.7kV$
Response time t_A	$\leq 25ns$				
Recommended back-up fuse	125A				
Isolation resistance	$> 10^2 M\Omega$				
I/O Connections	Multi core wire: $6mm^2 \sim 35mm^2$				
Mounting	35mm Symmetrical rail (EN50022/DIN46277-3)				
Operation temperature range / humidity / altitude	$-40^\circ C \sim +80^\circ C$ / 30%~90% / 3000m				
Degree of protection	IP20				
Housing material	UL94 V-0				
Disconnection indicator	Mechanical indicator (Green: OK, Red: replace)				
Remote control contact	Optional				

Port definition of remote control contact	Range of signal access		Recommended wire specification	
	AC	$U_{max} \leq 250V$	Single core wire	Max $\leq 1.5mm^2$
		$I_{max} \leq 0.5A$		
	DC	$U_{max} \leq 60V$	Multi core wire	Max $\leq 1.3mm^2$
		$I_{max} \leq 0.1A$		

Remark: if the model number is without "S", the model is without remote control contact function