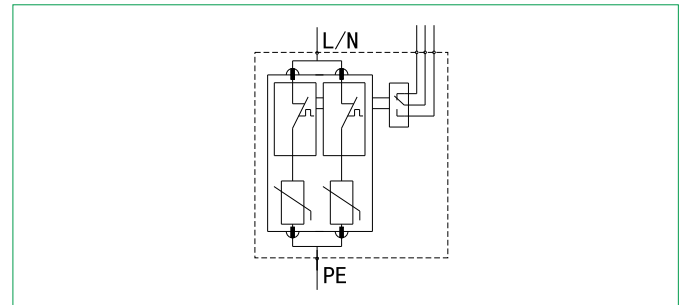
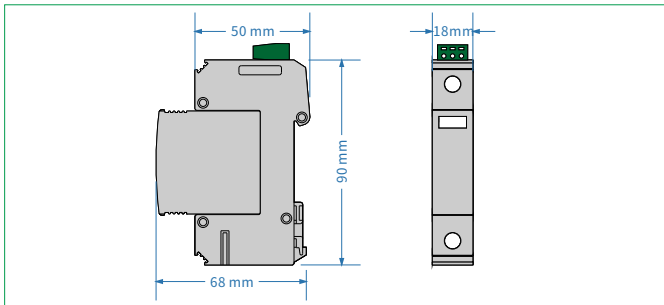


# FVB12.5B+C/1-\*\*\* (S)



- ◆ Surge protective device with special design for saving installation space--- width 18mm/pole.
- ◆ High discharge current---  $I_{imp}$  12.5kA per pole.
- ◆ each pole with one indication window, indication window for clear display of SPD status.
- ◆ Remote controlling function for your option.
- ◆ Pluggable module--- convenient for maintenance.
- ◆ Protection mode --- L/N-PE.
- ◆ 1 pole.



Model No.	FVB12.5B+C/1-150 (S)	FVB12.5B+C/1-275 (S)
Test class IEC/EN/VDE	Class I+II/B+C/ $T_1$ $T_2$	
Type of Network	TT, TN, IT	
Protection Mode	L / N - PE	
Nominal voltage 50(60)Hz $U_n$	110V~	220V~
Rated Voltage (Max. Cont. Operating Voltage) $U_c$	150V~	275V~
Impulse current (10/350 $\mu$ s) $I_{imp}$	12.5kA	
Max. discharge current (8/20 $\mu$ s) $I_{max}$	80kA	
Nominal discharge current (8/20 $\mu$ s) $I_n$	40kA	
Voltage protective level $U_p$	$\leq 1.0kV$	$\leq 1.7kV$
Response time $t_a$	$\leq 25ns$	
Recommended back-up fuse	160A	
Isolation resistance	$> 10^2 M\Omega$	
I/O Connections	Multi core wire: 4mm <sup>2</sup> ~25mm <sup>2</sup>	
Mounting	35mm Symmetrical rail (EN50022/DIN46277-3)	
Operation temperature range / humidity / altitude	-40°C~+80°C / 30%~90% / 3000m	
Degree of protection	IP20	
Housing material	UL94 V-0	
Disconnection indicator	Mechanical indicator (Red: replace)	
Remote control contact	Optional	

Port definition of remote control contact	Range of signal access		Recommended wire specification	
	AC	$U_{max} \leq 250V$	Single core wire	Max $\leq 1.5mm^2$
		$I_{max} \leq 0.5A$		
	DC	$U_{max} \leq 60V$	Multi core wire	Max $\leq 1.3mm^2$
		$I_{max} \leq 0.1A$		

Remark: if the model number is without "S", the model is without remote control contact function