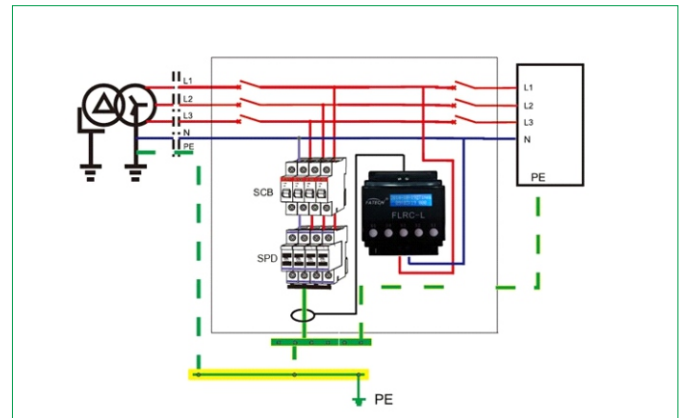
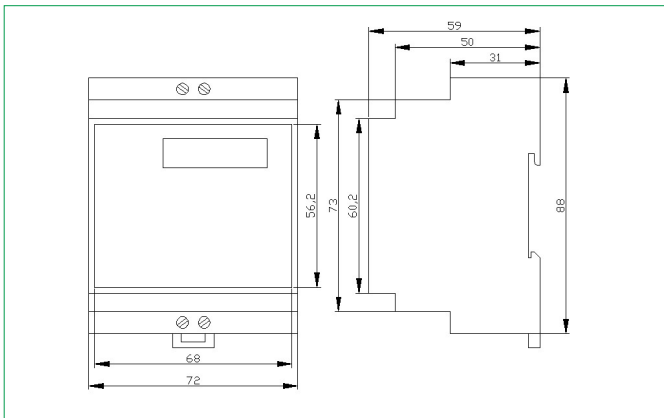


FLRC-L



- ◆ Digital type lightning counter is built with time clock function
- ◆ Can register 0~999 of lightning strikes, the data won't be lost in case of power failure.
- ◆ Can check the real time (year/month/day/hour/minute/second) of each lightning strike
- ◆ Number counting repetition up to 1 million times.
- ◆ Please reset when the counter registers 125 lightning strikes, otherwise it will not count.
- ◆ The counter can clearly indicate whether the installation of the lightning surge damage suffered from the impact of lightning and power line. Because we are now using either Zinc oxide varistors or GDT module only when the physical damage to the structure of these devices, we know that lightning is installed where there is lightning; But after installing lightning counter, we'll know at the surge protection products installation place.



Type	FLRC-L
Working mode	220V AC
Indicator	0~125
Counting Current (rise time $\geq 8\mu\text{s}$)	50A(8/20 μs)
Maximum lightning current	150kA(8/20 μs)
Date/ time indication	Y/M/D/H/M/S
Communication	RS485
Mounting	35mm Symmetrical rail (EN50022/DIN46277-3)
Enclosure material	UL94 V-0
Degree of protection	IP20
Operation temperature range / humidity / altitude	-40°C~+80°C / 30%~90% / 3000m