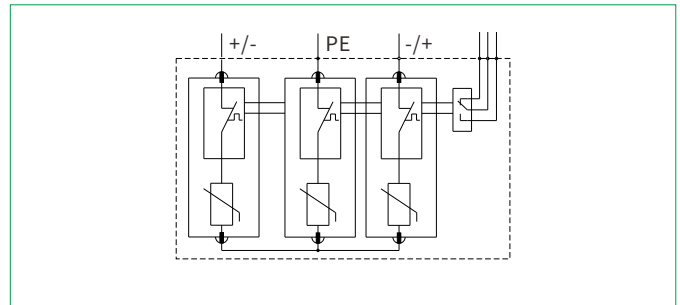
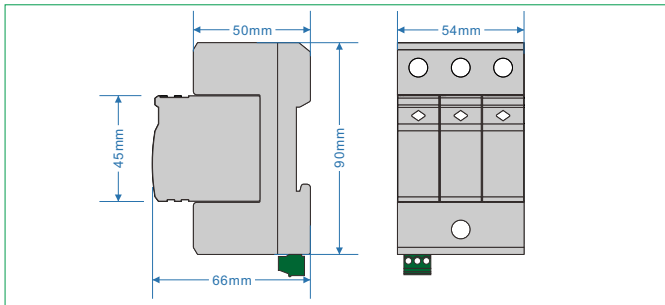


# FV30B+C/3-\*\*\*PV (S)



- ◆ DC surge protective device used for photovoltaic system.
- ◆ The core parts are metal oxide vistor components with high discharge capacity.
- ◆ With Reliable control thanks to Thermo Dynamic Control disconnecter.
- ◆ Remote signaling contact for control device optional.
- ◆ Fault indication via red mark in the inspection window.
- ◆ 3 poles, Y type.



Model No.	FV30B+C/3-500PV (S)	FV30B+C/3-600PV (S)
Test class IEC/EN/VDE	Class I+II/B+C/ T1 T2	
Type of Network	Photovoltaic system	
Protection Mode	+/- — PE 、 -/+ — PE 、 +/- — -/+	
Nominal voltage 50(60)Hz $U_n$	500V dc	600V dc
Rated Voltage (Max. Cont. Operating Voltage) $U_{CPV}$	560V dc	670V dc
Max. discharge current (8/20 $\mu$ s) $I_{max}$	60kA	
Nominal discharge current (8/20 $\mu$ s) $I_n$	30kA	
Impulse current (10/350 $\mu$ s) $I_{imp}$	7kA	
Voltage protective level $U_p$	$\leq 2.0kV$	$\leq 3.0kV$
Response time $t_a$	$\leq 25ns$	
Recommended back-up fuse	160A	
Isolation resistance	$> 10^2 M\Omega$	
I/O Connections	Multi core wire: 6mm <sup>2</sup> ~35mm <sup>2</sup>	
Mounting	35mm Symmetrical rail (EN50022/DIN46277-3)	
Operation temperature range / humidity / altitude	-40°C~+80°C / 30%~90% / 3000m	
Degree of protection	IP20	
Housing material	UL94 V-0	
Disconnection indicator	Mechanical indicator (Green: OK, Red: replace)	
Remote control contact	Optional	

Port definition of remote control contact	Range of signal access		Recommended wire specification	
	AC	$U_{max} \leq 250V$	Single core wire	Max $\leq 1.5mm^2$
		$I_{max} \leq 0.5A$		
	DC	$U_{max} \leq 60V$	Multi core wire	Max $\leq 1.3mm^2$
		$I_{max} \leq 0.1A$		

Remark: if the model number is without "S", the model is without remote control contact function