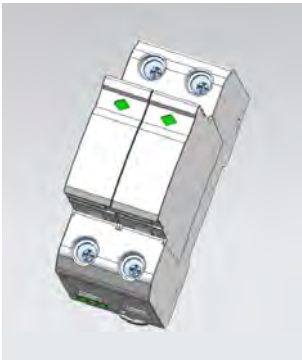


AC Surge protective device for low-voltage distribution system

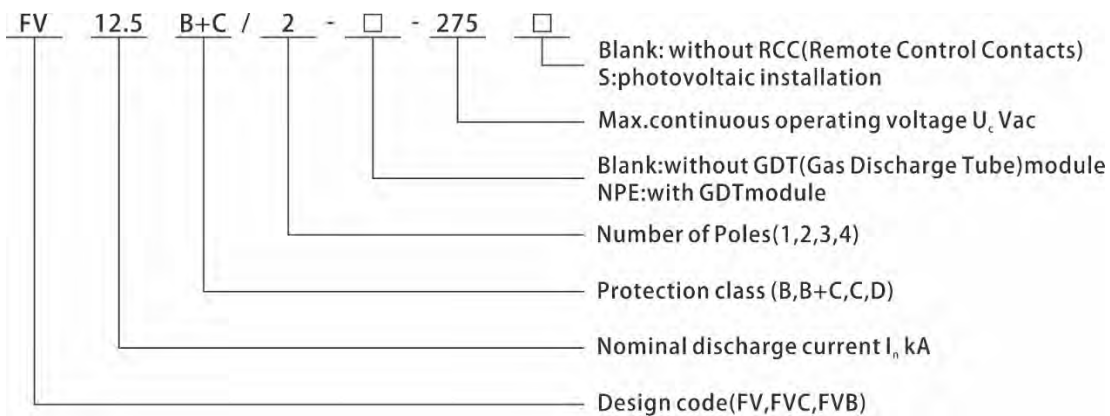
Version: B-3

Model No.: FV12.5B+C/2-275

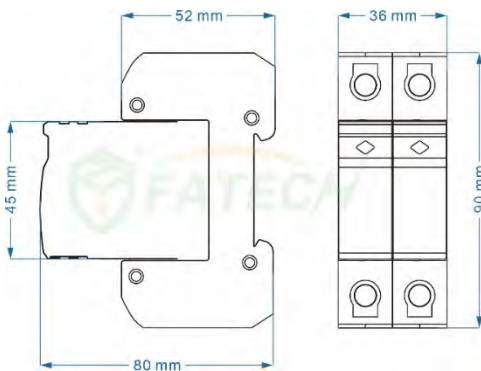


- Class I+II / Type 1+2 **surge protective devices.**
- For using in the lightning protection zones concept at boundary 1-2.
- The core parts are metal oxide varistor components with high discharge capacity.
- Reliable control thanks to Thermo Dynamic Control disconnecter.
- Without remote signaling contact for control device.
- Fault indication via red mark in the inspection window.
- Protection mode --- L-PE , N-PE

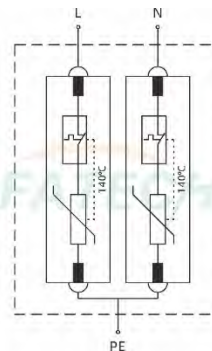
1. Coding



2. Dimension



3. Circuit



4. Electrical parameters

| | |
|--|---|
| Model No. | FV12.5B+C/2-275 |
| SPD protection conforms to IEC 61643-11 / EN 61643-11 | Type 1+2 |
| SPD installation type conforms to IEC 61643-11 / EN 61643-11 | Class I+II |
| Protection level conforms to DIN VDE0675-6 | B+C |
| Type of Network | TT , TN |
| Protection mode | L-PE , N-PE |
| Nominal Voltage U_N | 220 Vac/50(60)Hz |
| Maximum continuous operating voltage U_C | 275 Vac/50(60)Hz |
| Continuous operating current I_C | <50 μ A |
| Residual current $I_{\Delta r}$ | \leq 20 μ A dc \leq 500 μ A ac |
| Standby power consumption P_C | \leq 25 mVA |
| Maximum discharge current (8/20 μ s) I_{max} | 40 kA |
| Nominal discharge current (8/20 μ s) I_n | 20 kA |
| Impuse discharge current (10/350 μ s) I_{imp} | 12.5 kA |
| Voltage protection level U_p | \leq 1.3 kV |
| Isolation resistance R_{iso} | > 1000 M Ω |
| Response time t_A | \leq 25 ns |
| Remote control contact | NO |
| Disconnection indicator | Mechanical indicator (Red: Replace) |
| Minimum area of connecting cable | 4 mm ² |
| Maximum area of connecting cable | 25 mm ² |
| Installation location | Inside |
| Mounting type | 35mm DIN rail acc. to EN 60715 |
| Color | Gray |
| Degree of protection | IP20 |
| Housing material | UL94V-0 |
| Ambient temperature | -40°C – +80°C |
| Altitude | \leq 2000 m (amsl (above mean sea level)) |
| Permissible humidity | 30%–90% |