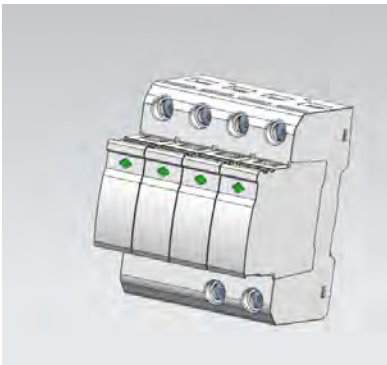


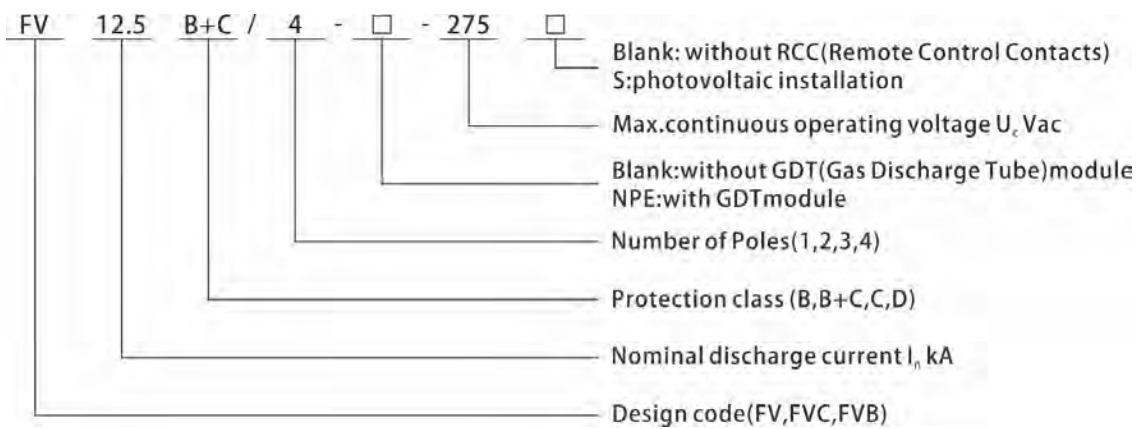
AC Surge protective device for low-voltage distribution system
Model No.: FV12.5B+C/4-275

Version:B-3

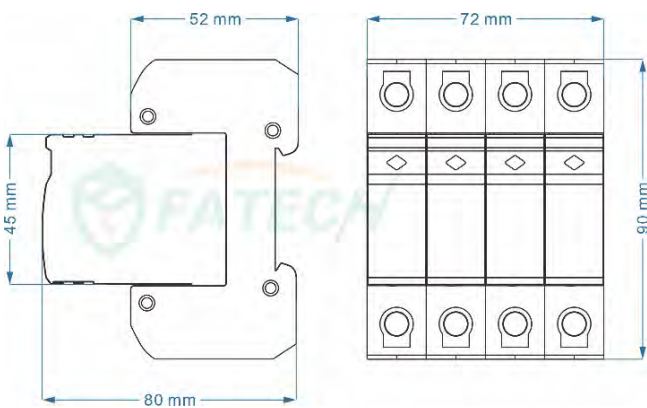


- Class I+II / Type 1+2 **surge protective devices.**
- For using in the lightning protection zones concept at boundary 1-2.
- The core parts are metal oxide varistor components with high discharge capacity.
- Reliable control thanks to Thermo Dynamic Control disconnecter.
- With remote signaling contact for control device.
- Fault indication via red mark in the inspection window.
- Protection mode --- L1,L2,L3,N-PE

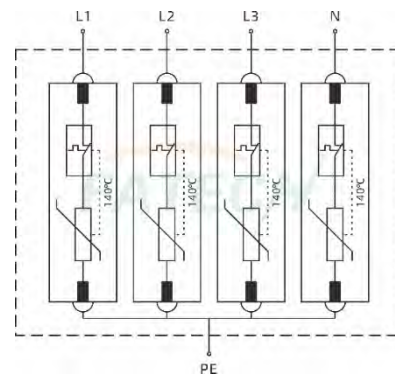
1.Coding



2. Dimension



3. Circuit



4. Electrical parameter

Model. No.	FV12.5B+C/4-275
SPD protection conforms to IEC 61643-11 / EN 61643-11	Type 1+2
SPD installation type conforms to IEC 61643-11 / EN 61643-11	Class I+II
Protection level conforms to DIN VDE0675-6	B+C
Type of Network	TT , TN
Protection mode	L1 , L2 , L3 ,N-PE
Nominal Voltage U_N	220/380 Vac/50(60)Hz
Maximum continuous operating voltage U_c	275 Vac/50(60)Hz
Continuous operating current I_c	<50 μ A
Residual current $I_{\Delta r}$	$\leq 20 \mu$ A dc $\leq 500 \mu$ A ac
Standby power consumption P_c	≤ 25 mVA
Maximum discharge current (8/20 μ s) I_{max}	40 kA
Nominal discharge current (8/20 μ s) I_n	20 kA
Impuse discharge current (10/350 μ s) I_{imp}	12.5 kA
Voltage protection level U_p	≤ 1.3 kV
Isolation resistance R_{iso}	> 1000 M Ω
Response time t_A	≤ 25 ns
Remote control contact	NO
Disconnection indicator	Mechanical indicator (Red: Replace)
Minimum area of connecting cable	4 mm ²
Maximum area of connecting cable	25 mm ²
Installation location	Inside
Mounting type	35mm DIN rail acc. to EN 60715
Color	Gray
Degree of protection	IP20
Housing material	UL94V-0
Ambient temperature	-40°C – +80°C
Altitude	≤ 2000 m (amsl (above mean sea level))
Permissible humidity	30%–90%