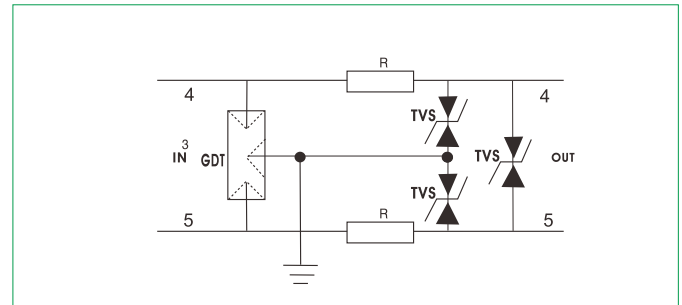
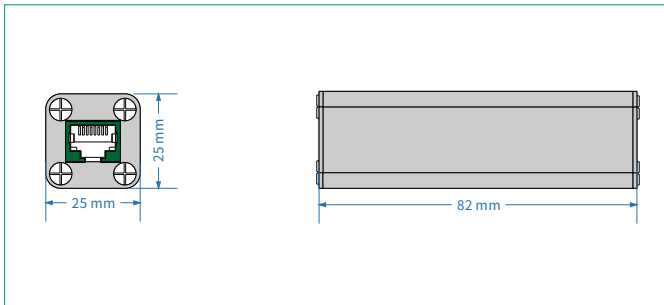


FS-RJ11-110/10



- ◆ Telephone surge protective device is applied to the protection for telecommunications, e.g. SPC exchangers, twisted pairs of telephone stations, dial-up lines, DDN special line.
- ◆ Convenient mounting
- ◆ 4 pairs line protected
- ◆ Class C protection, low residual voltage
- ◆ Built-in semiconductor, quick response
- ◆ Low capacitance design, excellent transmission
- ◆ Can be designed and manufactured according to special requests of clients.



Model No.	FS-RJ11-110/10	
Type of Network	Network signal transmission system	
Nominal voltage 50(60)Hz U_n	110V	
Rated Voltage (Max. Cont. Operating Voltage) U_c	185V	
Rated current (I_n)	0.5A	
Max. discharge current (8/20 μ s) I_{max}	3.0kA	
Nominal discharge current (8/20 μ s) I_n	1.5kA	
Voltage protective level U_p	L-L	$\leq 30V$
	L-PE	$\leq 250V$
Adapt transmission rate	10Mbit/s	
Insertion loss	$\leq 0.2Mbit/s$	
Protected Line (Pairs)	(3,4) ; (2,5)	
Interface	IN	RJ11
	OUT	RJ11
Response time t_A	$\leq 10ns$	
Operation temperature range / humidity / altitude	-40°C~+80°C / 30%~90% / 3000m	
Housing material	Aluminium alloy	