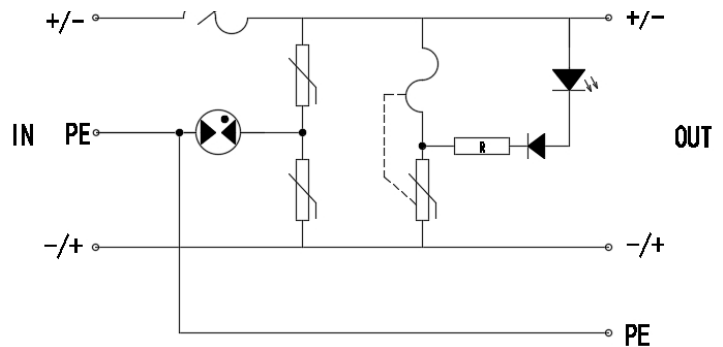
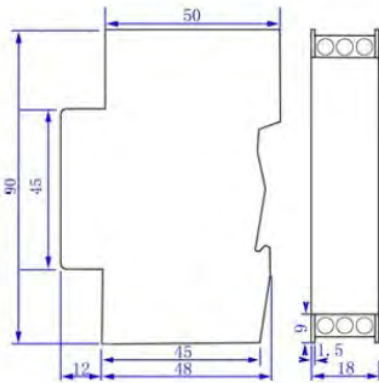


Class III / Type 3 surge protective device
Model No.: FV03D/2-25PVL



- Class III / Type 3 **surge protective device with LED display.**
- Visible fault indication - Green on: Normal; Green off: Fault.
- For using in the lightning protection zones concept at boundary 2-3.
- One-One correspondence reliable screening to ensure reliability.
- Lower voltage protection level Up.
- I_{max} 6kA



Electrical parameter

Model No.	FV03D/2-25PVL	
Test class according to IEC61643-11:2011	III	
Test class according to EN61643-11:2012	T3	
Nominal voltage	Un	12Vdc
Max. Cont. Operating Voltage	Uc	25Vdc
Maximum discharge current (8/20μs)	I _{max}	6kA
Nominal discharge current (8/20μs)	I _n	3kA
Voltage protective level	Up	≤700V
Max. Overcurrent Protection		16A gL/gG
Rated load current	I _L	10A
Response time L+-L-, L+/L- -PE	t _A	≤25ns, ≤100ns
Conductor Recommended max.	2.5mm ²	
Mounting	35mm Din Rail	
Operation temperature range	-40°C~+85°C	
Degree of protection	IP20	
Thermal Disconnecter	Internal	
Status Indicator	Green On: Normal; Green Off:Fault	