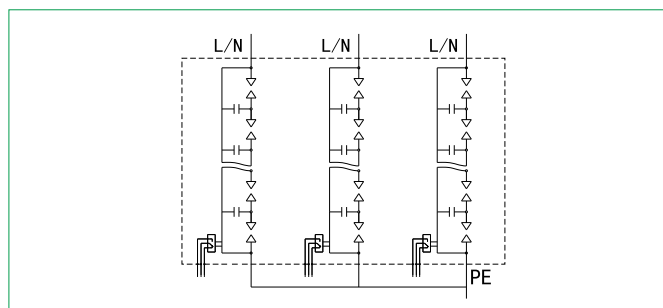
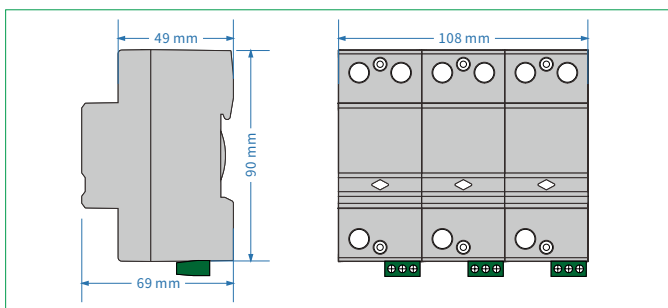


# FV50B/3 -\*\*\* (S)



- ◆ Adopt unique designed seal construction with multilayer spark gap, no spark emission outside the housing.
- ◆ With working status indication window, and remote control contacts.
- ◆ Max.continuos operating voltage(Uc)150V~,255V~, 275V~,320V~,385V~for your option.
- ◆ Mainly used in lightning protection zone (LPZ) 0 to 1, widely used in building entrance lines elevator, mineral, and so on.
- ◆ 3 phase,3 poles.



Model No.	FV50B/3-150 (S)	FV50B/3-255 (S)	FV50B/3-275 (S)	FV50B/3-320 (S)	FV50B/3-385 (S)
Test class IEC/EN/VDE	Class I/B/ $\overline{T1}$				
Type of Network	IT				
Protection Mode	L1 , L2 , L3 - PE				
Nominal voltage 50(60)Hz $U_n$	110/220V~	220/380V~	220/380V~	220/380V~	220/380V~
Rated Voltage (Max. Cont. Operating Voltage) $U_c$	150V~	255V~	275V~	320V~	385V~
Impulse current (10/350 $\mu$ s) $I_{imp}$	50kA				
Nominal discharge current (8/20 $\mu$ s) $I_n$	50kA				
Voltage protective level $U_p$	$\leq 1.8kV$	$\leq 1.8kV$	$\leq 1.8kV$	$\leq 2.0kV$	$\leq 2.0kV$
Response time $t_A$	$\leq 100ns$				
Recommended back-up fuse	500A				
Isolation resistance	$> 10^2 M\Omega$				
I/O Connections	L-N	Multi core wire : 10mm <sup>2</sup> ~25mm <sup>2</sup>			
	PE	Multi core wire : $> 16mm^2$			
Mounting	35mm Symmetrical rail (EN50022/DIN46277-3)				
Operation temperature range / humidity / altitude	-40°C~+80°C / 30%~90% / 3000m				
Degree of protection	IP20				
Housing material	UL94 V-0				
Disconnection indicator	Mechanical indicator (Green: OK, Red: replace)				
Remote control contact	Optional				

Port definition of remote control contact	Range of signal access		Recommended wire specification	
	AC	$U_{max} \leq 250V$	Single core wire	Max $\leq 1.5mm^2$
		$I_{max} \leq 0.5A$		
	DC	$U_{max} \leq 60V$	Multi core wire	Max $\leq 1.3mm^2$
		$I_{max} \leq 0.1A$		

Remark: if the model number is without "S", the model is without remote control contact function